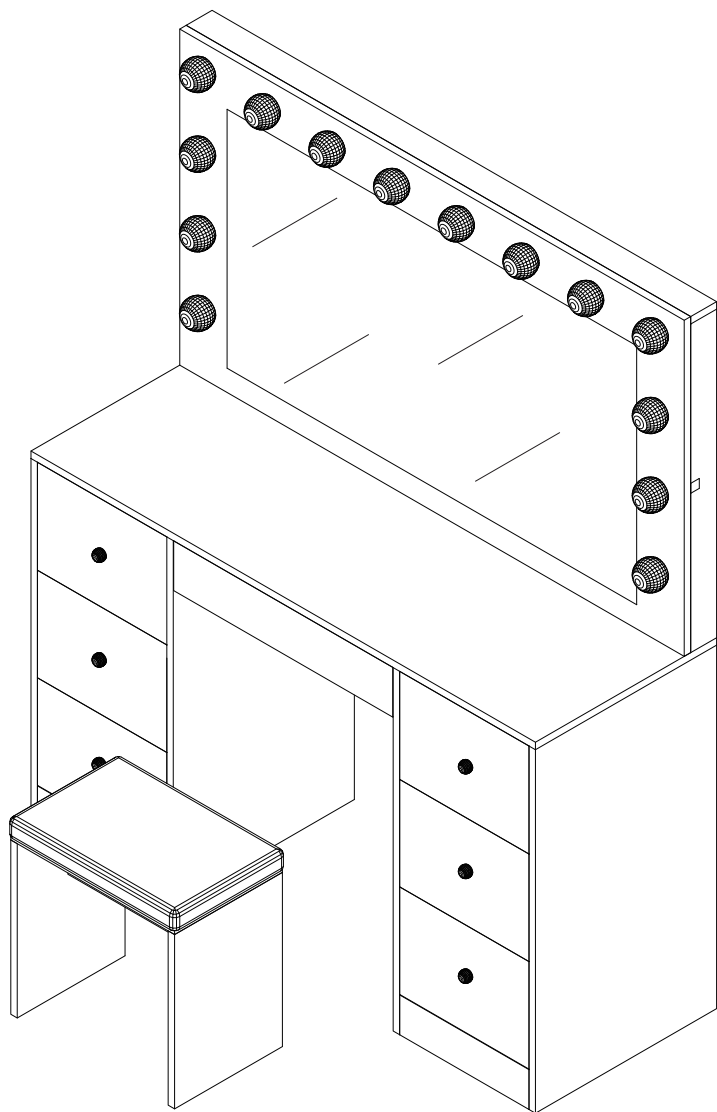
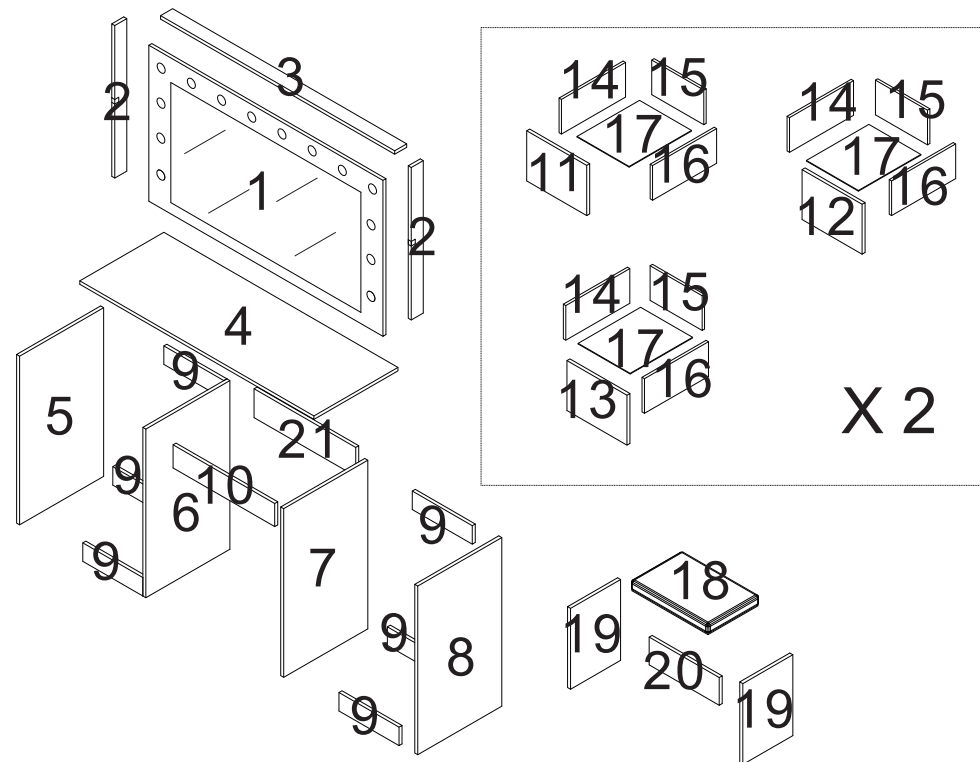







ASSEMBLY INSTRUCTIONS



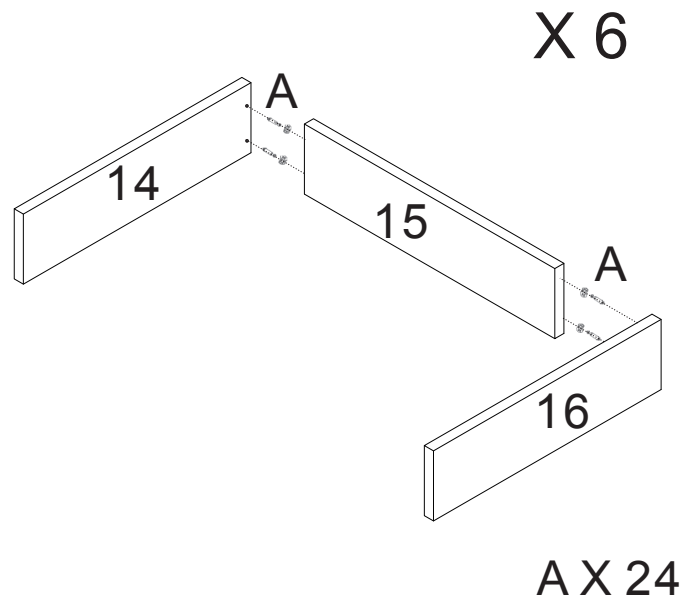
Part list



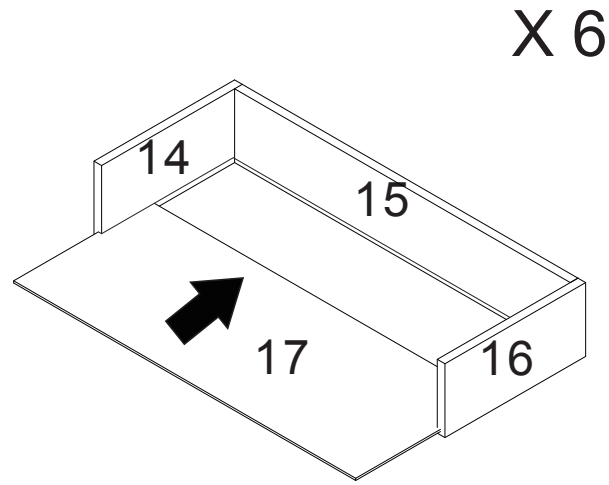
Hardware list

- | | | | | | |
|---|---|-------|---|---|------|
| A |  | X 110 | B |  | X 12 |
| C |  | X 48 | D |  | X 6 |
| E |  | X 6 | | | |

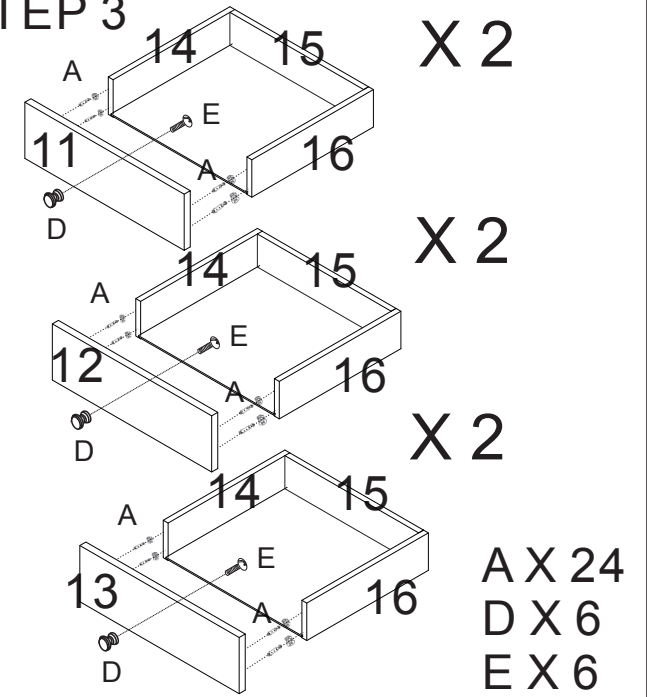
STEP 1



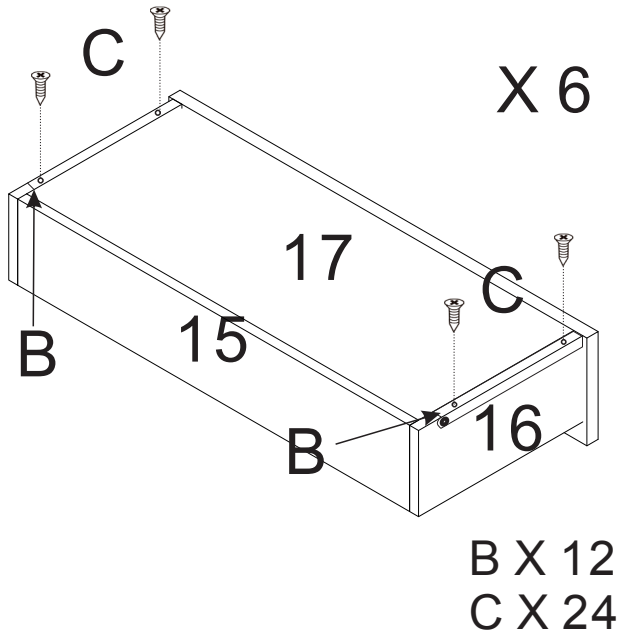
STEP 2



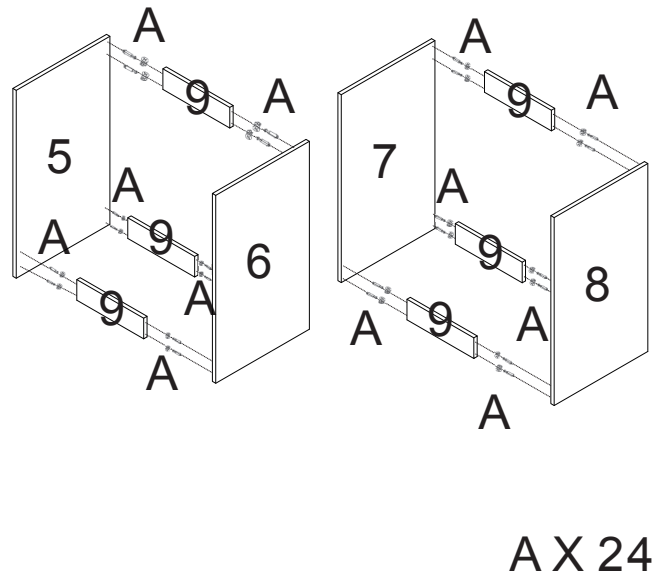
STEP 3



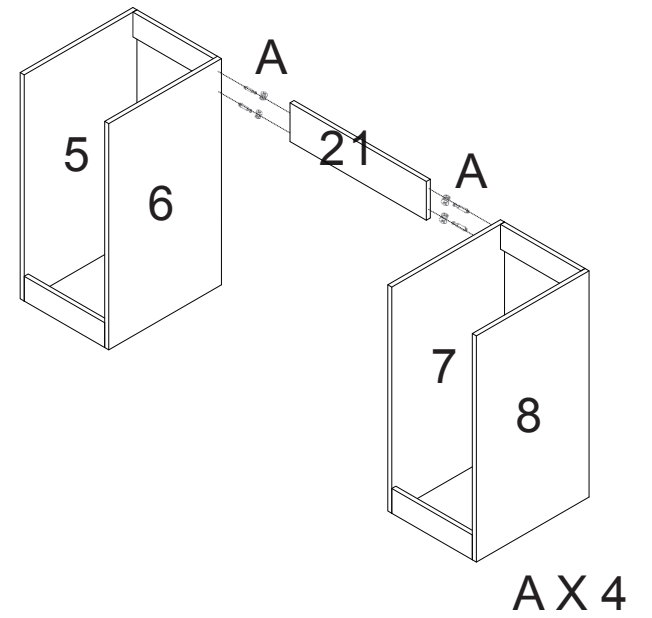
STEP 4



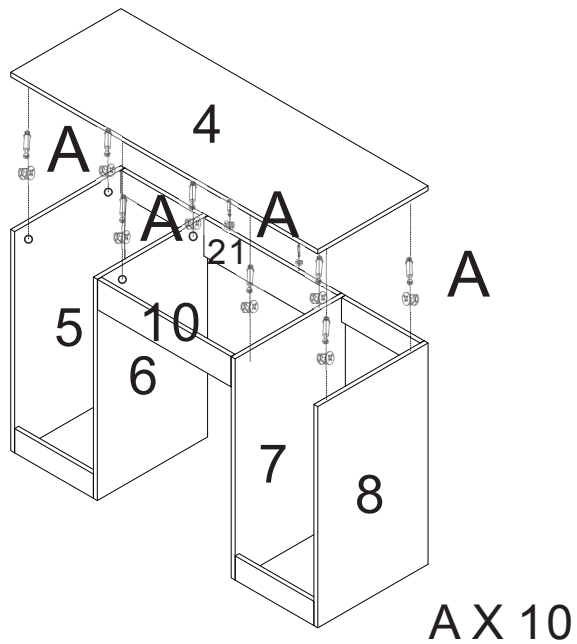
STEP 5



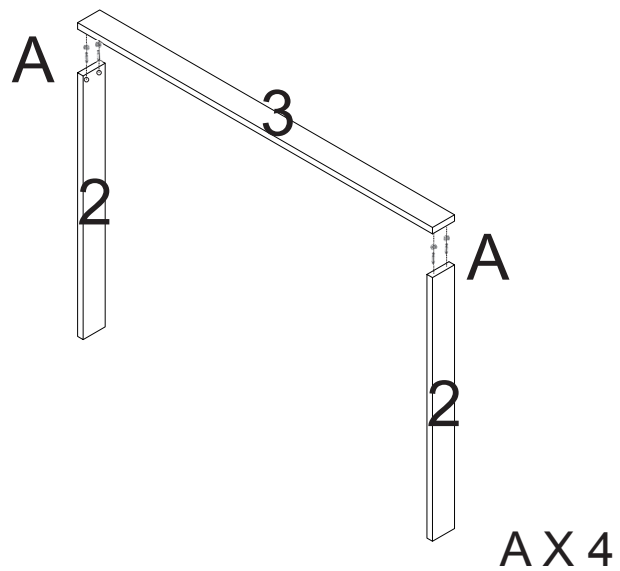
STEP 6



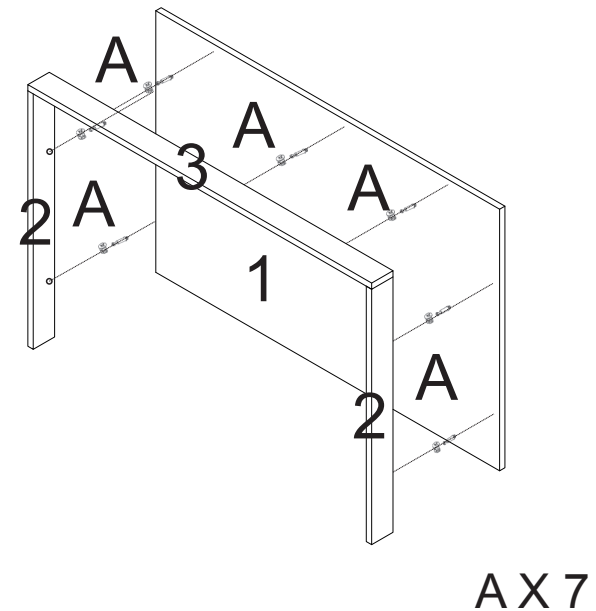
STEP 7



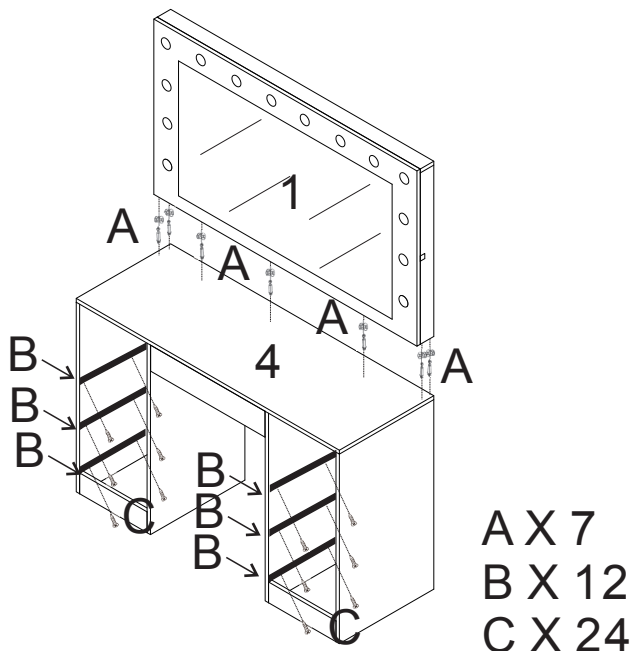
STEP 8



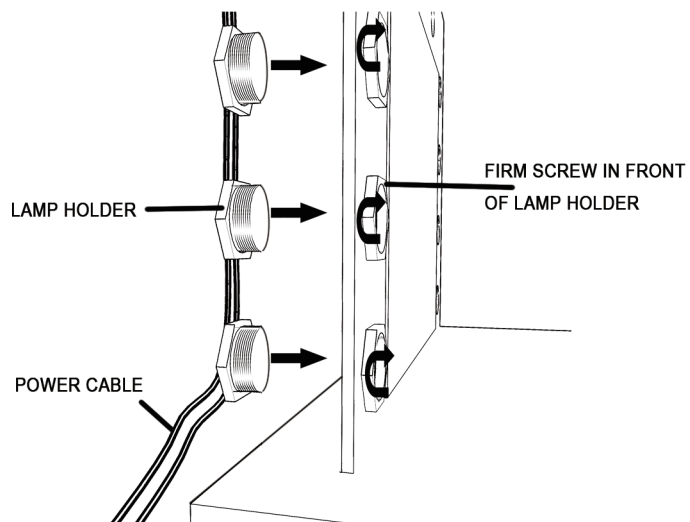
STEP 9



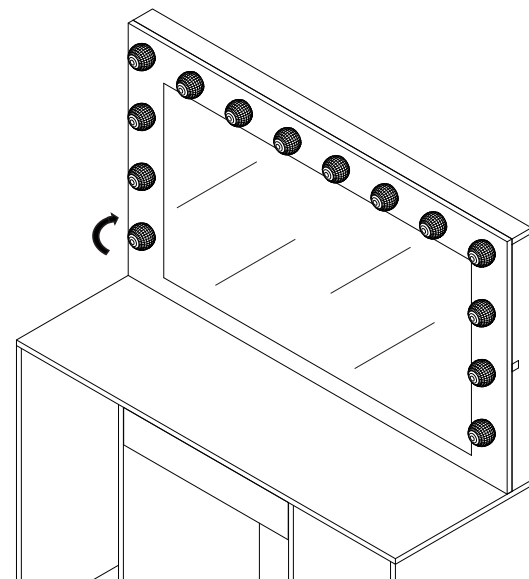
STEP 10



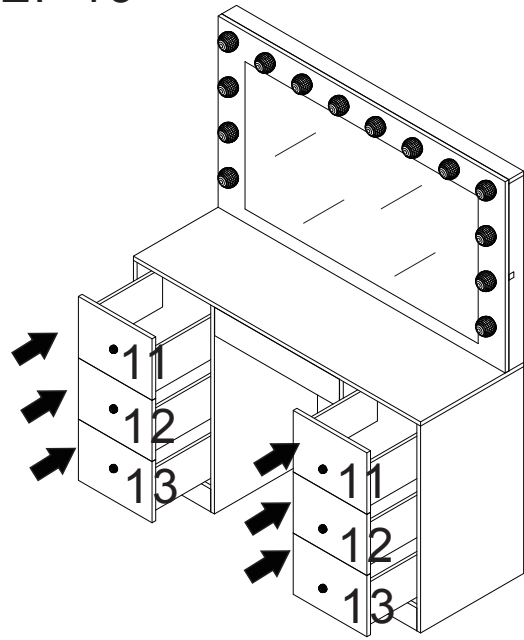
STEP 11



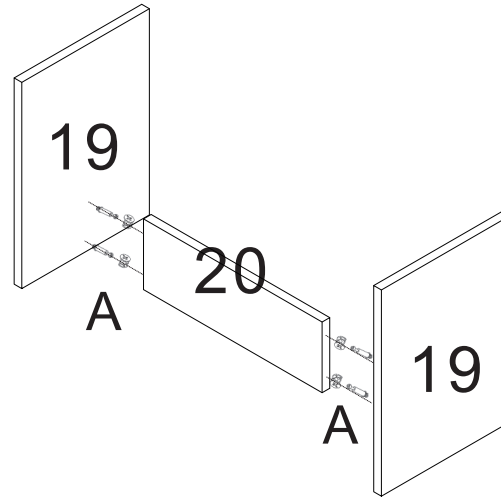
STEP 12



STEP 13

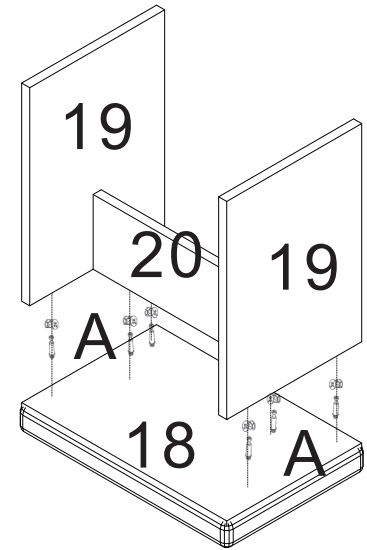


STEP 14



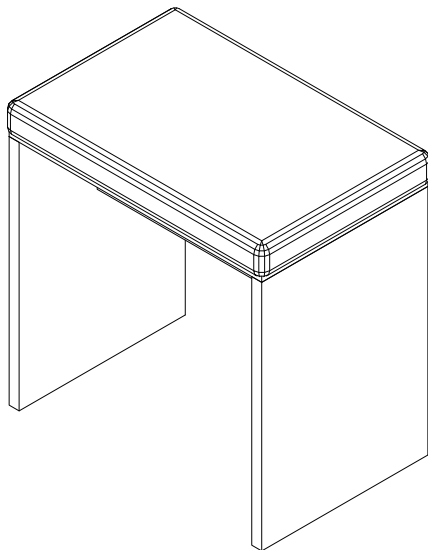
AX 4

STEP 15



AX 6

STEP 16



STEP 17

